

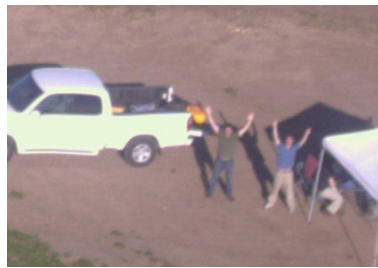
Shrike VTOL™ UAS



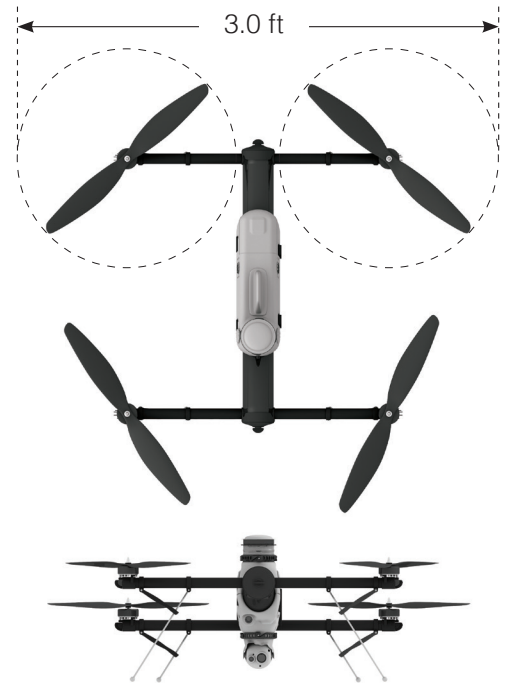
Shrike VTOL is a man-packable, Vertical Take-Off and Land Micro Air Vehicle (VTOL Mav) system. It is a small, portable, reliable and rugged unmanned aerial platform designed for day/night intelligence, surveillance and reconnaissance (ISR). Shrike VTOL operates in hover-and-stare or perch-and-stare modes, transmitting real-time video imagery directly to the operator using AeroVironment's common ground control station (GCS) via a digital data link.



A portion of screen capture from GCS hand controller



Downlink imagery from EO camera



SPECIFICATIONS

PAYLOADS	<ul style="list-style-type: none"> – High Resolution, Modular EO/IR Gimbal – Perch Payload with EO Camera – Two fixed EO cameras - Forward-Look and Down-Look
RANGE	5 km Line-of-sight with relay capability to extend range
ENDURANCE	40+ minutes
SPEED	30 knots
OPERATING ALTITUDE (TYP.)	500 ft (152 m) AGL
WING SPAN	3.0 ft
WEIGHT	Less than 5.5 lbs
GCS	Common GCS with Puma, Raven and Wasp

KEY FEATURES

- Vertical Takeoff and Land (VTOL)
- Extended Range
- Digital Data Link™ (DDL™) with relay capability
- Rechargeable Smart Battery
- Hover-and-Stare
- Perch-and-Stare
- Unobtrusive Visual and Acoustic Signature
- Single Operator